

DS-2TP31B-3AUF

Temperature Screening Handheld Thermography Camera



The Temperature Screening Handheld Thermography Camera, specially designed for surface temperature measurement. It's equipped with a 160 × 120 resolution thermal detector. It helps to detect high temperature quickly.

Note that the device is not for medical use.

Key Feature

- 160 × 120 resolution
- Thermography accuracy up to ± 0.5 °C
- 320 × 240 resolution 2.4" LCD display
- Built-in rechargeable Li-ion battery
- Up to 8 hours continuous running

Function

Thermography

Device detects the real-time temperature, and display it on the screen.

Storage

Device is equipped with replaceable memory card to store snapshots.

Alarm

Device supports color alarm if temperature is higher than the setting value.



Specification

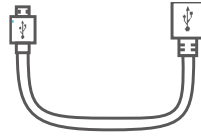
Model		DS-2TP31B-3AUF
Parameter	Temperature Screening Handheld Thermography Camera	
Thermal Module	Image sensor	Uncooled Focal Plane Arrays
	Max. Resolution	160 × 120
	Pixel Pitch	17μm
	Response waveband	8μm to 14μm
	NETD	< 40mK (@ 25 °C,F#=1.0)
	Field of View	37.2° × 50 °
	Focal length	3.1 mm
	IFOV	5.48 mrad
	Min. Focus Length	≥ 150 mm
	Aperture	F 1.1
Image Display	Monitor	320 × 240 resolution 2.4" LCD display
	Palettes	Black hot, White hot, Rainbow, Ironbow
Thermography	Rules	Max. Temperature; Min. Temperature; Center Temperature
	Thermographic Range	30 °C to 45 °C
	Thermographic Accuracy	± 0.5 °C
Battery	Battery Type	Rechargeable Lithium Battery
	Battery Operating Time	8 hours continuous running @ 25 °C
Function	Storage	Replaceable memory card (default 8 G, support up to 128 G storage)
	Photo	Thermal image
General	Language	English
	Power	3.7 VDC/0.4 A
	Power Consumption	Less than 1.2 W
	Hardware Interface	micro USB
	Working Temperature	10 °C to 35 °C (50 °F to 95 °F)
	Protection level	IP54
	Drop Test Height	2 m (6.56 feet)
	Dimension	196 mm × 117 mm × 59 mm (7.7" × 4.6" × 2.3")
Weight	Less than 350 g (0.77 lb)	

Available Model
DS-2TP31B-3AUF

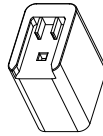
Accessory



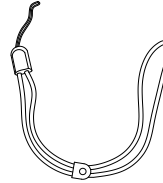
Quick Start Guide
(x1)



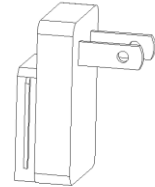
USB Cable (x1)



power Adapter
(x1)

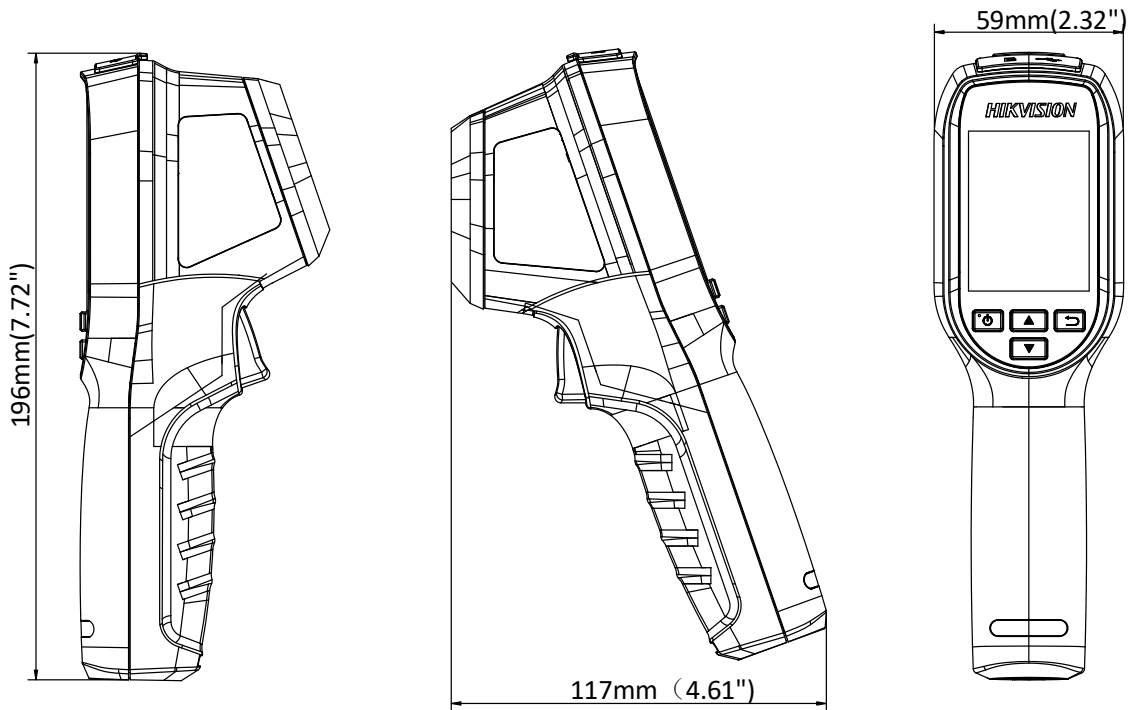


Wrist Strap (x1)



Adapter (x5)

Dimension



COMPLIANCE NOTICE: The thermal series products might be subject to export controls in various countries or regions, including without limitation, the United States, European Union, United Kingdom and/or other member countries of the Wassenaar Arrangement. Please consult your professional legal or compliance expert or local government authorities for any necessary export license requirements if you intend to transfer, export, re-export the thermal series products between different countries.

Distributed by

**HIKVISION®****Headquarters**

No.555 Qianmo Road, Binjiang District,
Hangzhou 310051, China
T +86-571-8807-5998
overseasbusiness@hikvision.com

Hikvision USA
T +1-909-895-0400
sales.usa@hikvision.com

Hikvision Australia
T +61-2-8599-4233
salesau@hikvision.com

Hikvision India
T +91-22-28469900
sales@pramahikvision.com

Hikvision Canada
T +1-866-200-6690
sales.canada@hikvision.com

Hikvision Thailand
T +662-275-9949
sales.thailand@hikvision.com

Hikvision Europe
T +31-23-5542770
sales.eu@hikvision.com

Hikvision Italy
T +39-0438-6902
info.it@hikvision.com

Hikvision Brazil
T +55 11 3318-0050
Latam.support@hikvision.com

Hikvision Turkey
T +90 (216)521 7070- 7074
sales.tr@hikvision.com

Hikvision Malaysia
T +601-7652-2413
sales.my@hikvision.com

Hikvision UK & Ireland
T +01628-902140
sales.uk@hikvision.com

Hikvision South Africa
Tel: +27 (10) 0351172
sale.africa@hikvision.com

Hikvision France
T +33(0)1-85-330-450
info.fr@hikvision.com

Hikvision Kazakhstan
T +7-727-9730667
nikia.panfilov@hikvision.ru

Hikvision Vietnam
T +84-974270888
sales.vt@hikvision.com

Hikvision UAE
T +971-4-4432090
salesme@hikvision.com

Hikvision Singapore
T +65-6684-4718
sg@hikvision.com

Hikvision Spain
T +34-91-737-16-55
info.es@hikvision.com

Hikvision Tashkent
T +99-87-1238-9438
uzb@hikvision.ru

Hikvision Hong Kong
T +852-2151-1761
info.hk@hikvision.com

Hikvision Russia
T +7-495-669-67-99
sateru@hikvision.com

Hikvision Korea
T +82-[0]31-731-8817
sales.korea@hikvision.com

Hikvision Poland
T +48-22-460-01-50
info.pl@hikvision.com

Hikvision Indonesia
T +62-21-2933759
Sales.Indonesia@hikvision.com

Hikvision Colombia
sales.colombia@hikvision.com